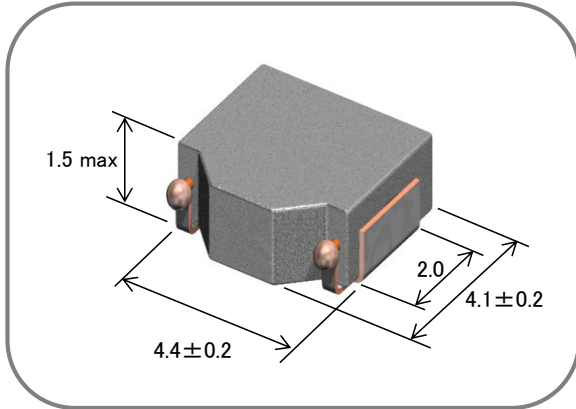


Component Image & Dimension



Features

Sampling Stage

- a) Small Footprint and Low Profile Design :
Footprint : 4.4 x 4.1 mm Typ.
Height : 1.5mm Max.
- b) High Power Handling Capability :
Small Copper Loss
Using Large Saturation Induction of Fe- based metals
- c) Flat inductance performance over temperature based on the high curie temperature of the iron powder core material.
- d) Automatic Mounting in Tape&Reel Package.

Applications

Note Book & Mobile Computer, VRM, Cellular Phone, HDD etc.

Electrical Specification

TDK Identification	Inductance		Test Freq. (kHz)	DC Resistance		Rated DC Current			
	at 0A (uH)	Tol. (%)		Spec. (m-Ohm)	Typ. (m-Ohm)	Idc 1		Idc 2	
						(A) max.	(A) typ.	(A) max.	(A) typ.
※ SPM4015T- R22M-LR	0.22	+/-20%	100	9.5 max	8.6	10.1	13.5	8.4	8.8
SPM4015T- R47M-LR	0.47	+/-20%	100	16.0 max	14.5	9.4	12.5	6.5	6.8
※ SPM4015T- R68M-LR	0.68	+/-20%	100	20.4 max	18.5	7.0	9.3	5.7	6.0
SPM4015T- 1R0M-LR	1.00	+/-20%	100	33.6 max	30.5	6.7	9.0	4.5	4.7
※ SPM4015T- 1R5M-LR	1.50	+/-20%	100	47.8 max	43.5	4.3	5.7	3.7	3.9
※ SPM4015T- 2R2M-LR	2.20	+/-20%	100	64.2 max	58.4	4.4	5.9	3.2	3.4
SPM4015T- 3R3M-LR	3.30	+/-20%	100	116.6 max	106.0	2.8	3.7	2.4	2.5
SPM4015T- 4R7M-LR	4.70	+/-20%	100	194.7 max	177.0	2.4	3.2	1.9	2.0
SPM4015T- 6R8M-LR	6.80	+/-20%	100	224.4 max	204.0	1.9	2.5	1.7	1.8
SPM4015T- 100M-LR	10.00	+/-20%	100	330.0 max	300.0	1.4	1.9	1.4	1.5

Note. Idc 1 : Based on the inductance change.(-30% Reduction from Nominal L Value)

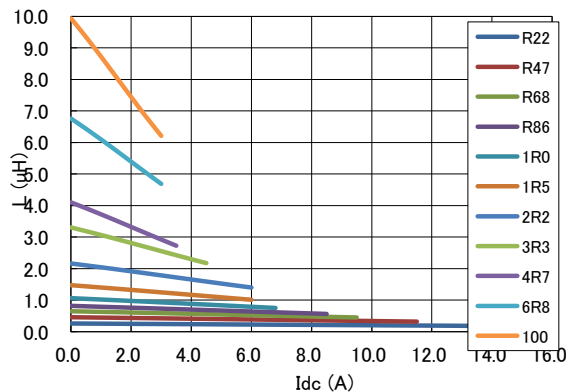
Idc 2 : Based on the self temperature rise. (+40 deg typ.)

Operating Temperature Range: -40 °C~+125 °C (including self temperature rise)

Caution: Please contact our sales person when you consider organic solvent or aqueous cleaning.

※ Simulation Data

Inductance vs.DC Superposition



Recommended pad layout

